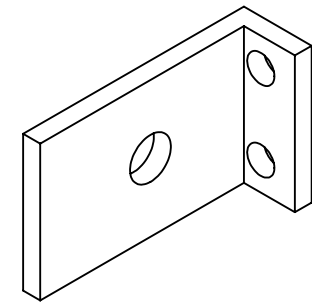
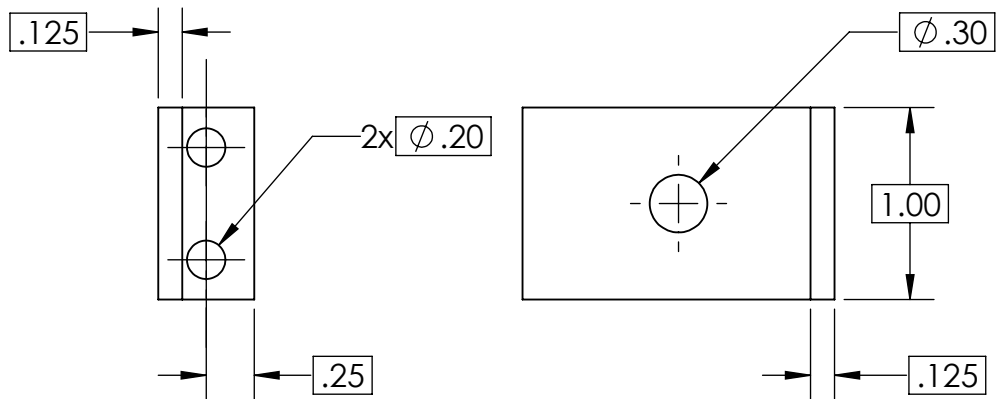


B



ISOMETRIC VIEW FOR  
REFERENCE ONLY

B

A

A

**PROPRIETARY AND CONFIDENTIAL**  
THE INFORMATION CONTAINED IN THIS DRAWING IS THE SOLE PROPERTY OF <INSERT COMPANY NAME HERE>. ANY REPRODUCTION IN PART OR AS A WHOLE WITHOUT THE WRITTEN PERMISSION OF <INSERT COMPANY NAME HERE> IS PROHIBITED.

		UNLESS OTHERWISE SPECIFIED:		NAME	DATE	TITLE: <b>MOUNTING BRACKET</b>					
		DIMENSIONS ARE IN INCHES TOLERANCES: INHERENT TO MACHINE	DRAWN	DEJ	11/4/17			SIZE DWG. NO. REV <b>A 01 1</b>			
			CHECKED							SCALE: 1:1 WEIGHT: SHEET 1 OF 1	
			ENG APPR.								
			MFG APPR.								
		INTERPRET GEOMETRIC TOLERANCING PER: ANSI Y 14.5		Q.A.							
		MATERIAL <b>ABS 3D Printed</b>	COMMENTS:								
		FINISH <b>N/A</b>									
NEXT ASSY	USED ON										
APPLICATION		DO NOT SCALE DRAWING									

2

1